

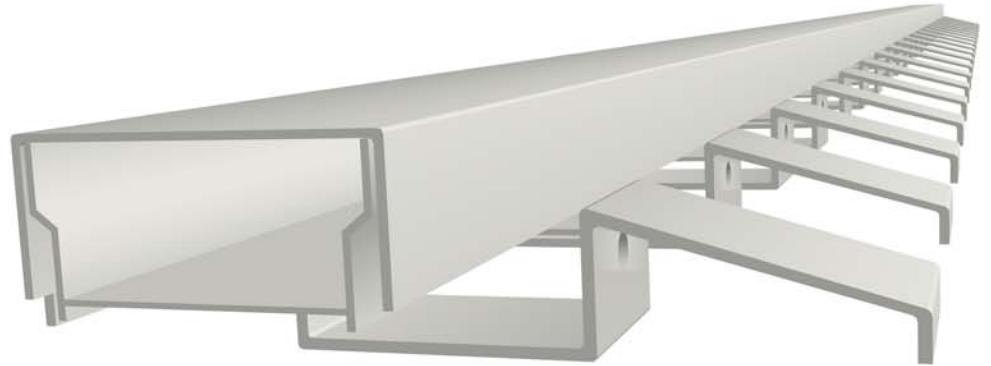
## WM20-PVC

### MODEL NUMBER

Building integrated PVC system designed to manage wires in AGT Flexlight photovoltaic laminate installations. Protects wires and organizes the roof. Delivered as three components. The base and cover slide together, the wings protect the wire leads from each PV laminate strip. Delivered in 20 foot lengths with sets of 15 wings.

### FEATURES

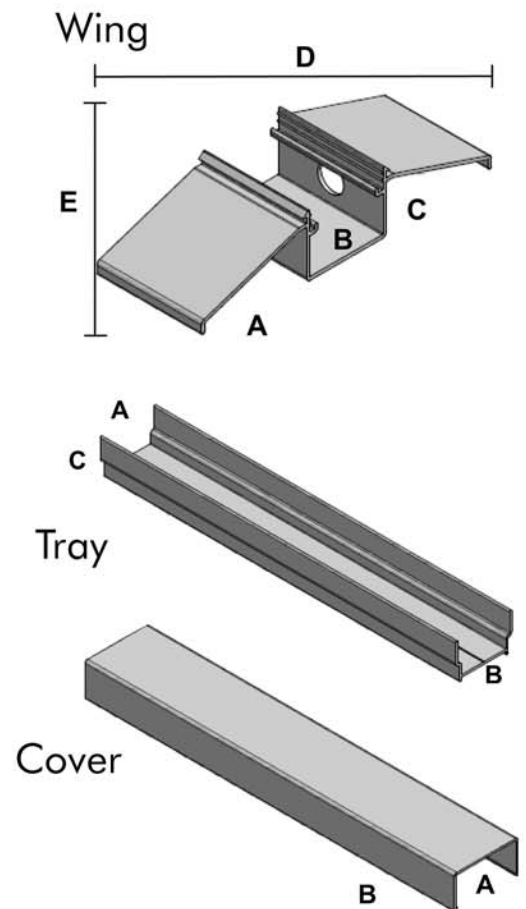
- Lightweight
- Easy to assemble
- Durable
- Adheres firmly



Wing	Inside Dimension	In.	Millimeter
A	Width	4.03	102,413
B	Width	2.80	71,247
C	Width	4.15	105,588
D	Width	11.11	282,423
E	Height	2.33	59,182

Tray	Inside Dimension	In.	Millimeter
A	Width	2.90	73,660
B	Width	2.50	63,500
C	Height	1.78	45,212

Cover	Outside Dimension	In.	Millimeter
A	Width	3.44	87,503
B	Height	1.78	45,212

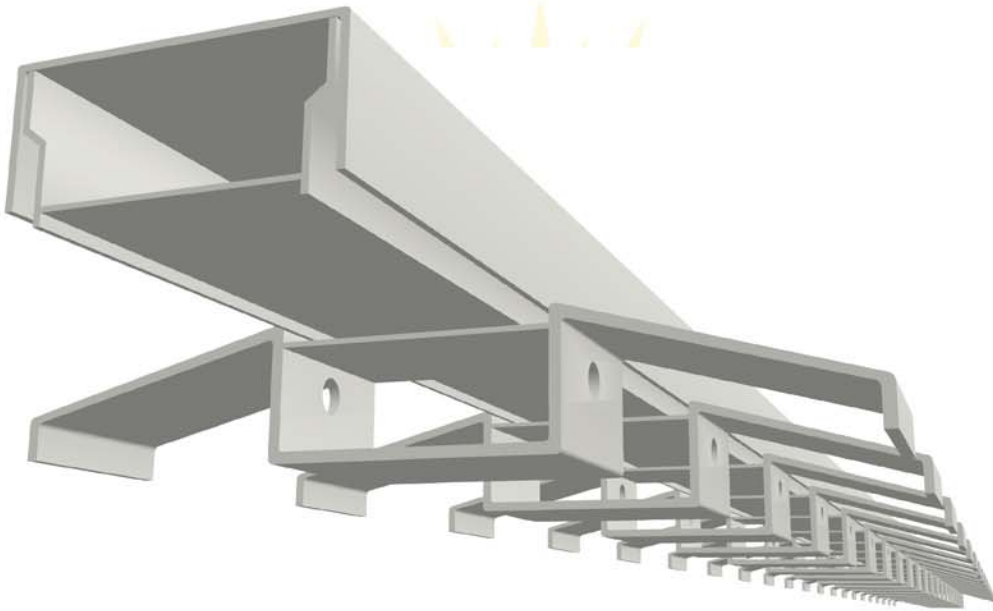


## WM20-PVC

### MODEL NUMBER

**PHYSICAL PROPERTIES**

Tensile strength (psi)	d-638	6200.00
Flexular strength(psi)	d-790	10,500.00
Flexular strength (psi)	d790	380,000.00
Notched izod impact 1\8"	d-256	8.00
Specific gravity	d-792	1.43
Heat deflection @264 psi	d-648	167.00



COMPONENTS	wt or % VOLI	ACGIH TL V	OSHA
Acrylic polymers established	<15%	none established	none
Calcium carbonate	<10%	10mg\m3	15mg\m3
Titanium dioxide	<10%	10mg\m3	10mg\m3
Organo tin complex	<5%	0.1mg\m3	0.1mg\m3
Vinyl chloride	<0.001%	5ppm	1ppm